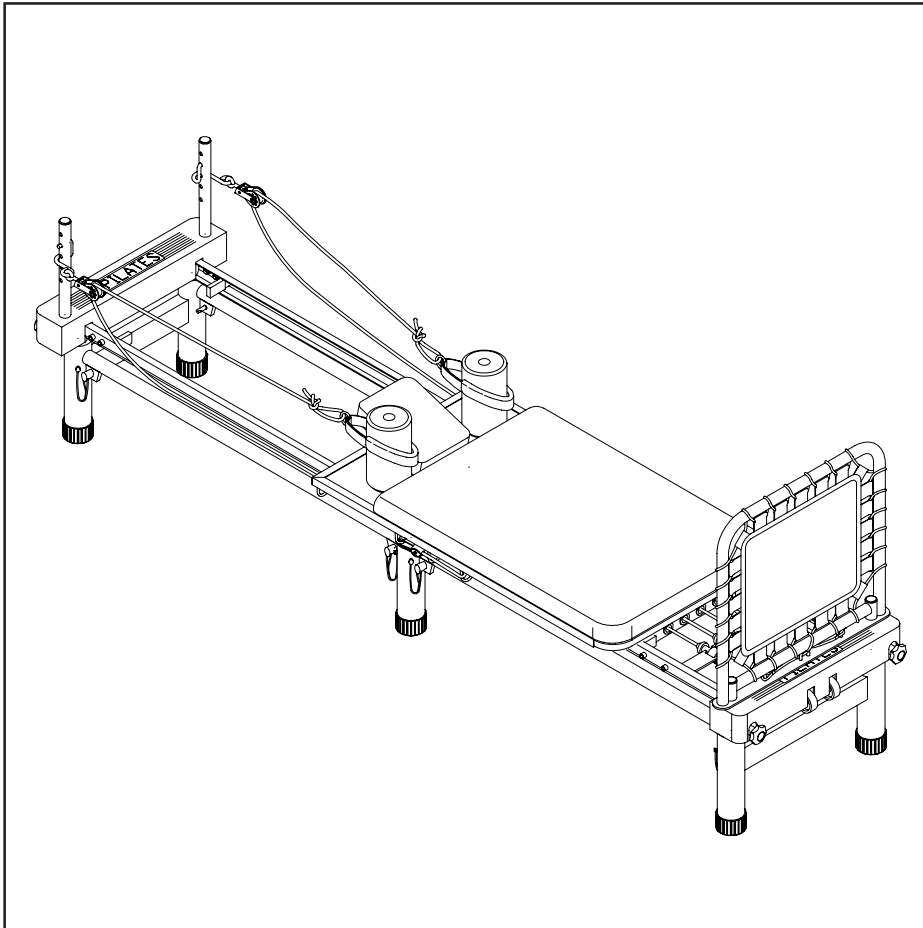


# AeroPILATES

## Owner's Manual



**CAUTION:**  
Weight on this product should not exceed 300 lbs.

### **! WARNING !**

Exercise can present a health risk. Consult a physician before beginning any exercise program with this equipment. If you feel faint or dizzy, immediately discontinue use of this equipment. Serious bodily injury can occur if this equipment is not assembled and used correctly. Serious bodily injury can also occur if all instructions are not followed. Keep others and pets away from equipment when in use. Always make sure all bolts and nuts are tightened prior to each use. Follow all safety instructions in this manual.

When calling for parts or service, please specify the following number.

**55-4650A**

**Pat. No. D382,319**

**Other Patents Applied  
and Are Pending**

**MADE IN CHINA**

**Product May Vary Slightly  
From Pictured.**

**This Product is Produced Exclusively by**



**2040 N. Alliance, Springfield, MO 65803**

**Customer Service Number**

**1 (800) 375-7520**

**www.staminaproducts.com**

---

## TABLE OF CONTENTS

	Page		Page
Safety Instructions	2	Conditioning Guidelines	12
Before You Begin	4	Warm-up and Cool-Down	13
Hardware Identification Chart	5	Product Parts Drawing	14
Assembly Instructions	6	Parts List	15
Operational Instructions	10	Warranty	17
Storage	11	Notes	18
Maintenance	11	Fax/Mail Ordering Form	19

---

### SAFETY INSTRUCTIONS

**WARNING:** To reduce the risk of serious injury, read the following Safety Instructions before using the Aero**PILATES**.

1. Read all warnings posted on the Aero**PILATES**.
2. Read this Owner's Manual and follow it carefully before using the Aero**PILATES**. Make sure that it is properly assembled and tightened before use.
3. Make sure that all eight (8) pull pins are fully inserted before using the Aero**PILATES**.
4. When exercising on this product, do not exercise at an intensity that causes the product itself to move. This could result in damage to your joints and the product.
5. Keep children away from the Aero**PILATES**. Do not allow children to use or play on the Aero**PILATES**. Keep children and pets away from the Aero**PILATES** when it is in use.
6. Set up and operate the Aero**PILATES** on a solid level surface. Do not position the Aero**PILATES** on loose rugs or uneven surfaces.
7. Inspect the Aero**PILATES** for worn or loose components prior to use.
8. Tighten/replace any loose or worn components prior to using the Aero**PILATES**.
9. Consult a physician prior to commencing an exercise program. If, at any time during exercise, you feel faint, dizzy, or experience pain, stop and consult your physician.
10. Follow your physician's recommendations in developing your own personal fitness program.
11. Always choose the workout which best fits your physical strength and flexibility level. Know your limits and train within them. Always use common sense when exercising.
12. Do not wear loose or dangling clothing while using the Aero**PILATES**.
13. Be careful to maintain your balance while using, mounting, dismounting, or assembling the Aero**PILATES**, loss of balance may result in a fall and serious bodily injury.
14. The Aero**PILATES** should not be used by persons weighing over 300 pounds.
15. The Aero**PILATES** should be used by only one person at a time.
16. The Aero**PILATES** is for consumer use only. It is not for use in public or semipublic facilities.

**WARNING:** Before starting any exercise or conditioning program you should consult with your personal physician to see if you require a complete physical exam. This is especially important if you are over the age of 35, have never exercised before, are pregnant, or suffer from any illness. **READ AND FOLLOW THE SAFETY PRECAUTIONS. FAILURE TO FOLLOW THESE INSTRUCTIONS CAN RESULT IN SERIOUS BODILY INJURY.**

CALL US FIRST



CUSTOMER SERVICE NUMBER  
**1 (800) 375-7520**

---

THANK YOU FOR PURCHASING THE  
**AeroPILATES**

To help you get started, we have pre-assembled most of your **AeroPILATES** at the factory with the exception of those parts left unassembled for shipping purposes.

Simply follow the few assembly instructions set forth in this manual. Within a few minutes you will be getting your body into shape and on your way to achieving a happier and healthier lifestyle.

Should you have any questions,  
please call our Customer Service Department toll-free number,  
**1 (800) 375-7520**  
Monday - Friday, 8:00 A.M. - 5:00 P.M., Central Time.

## BEFORE YOU BEGIN

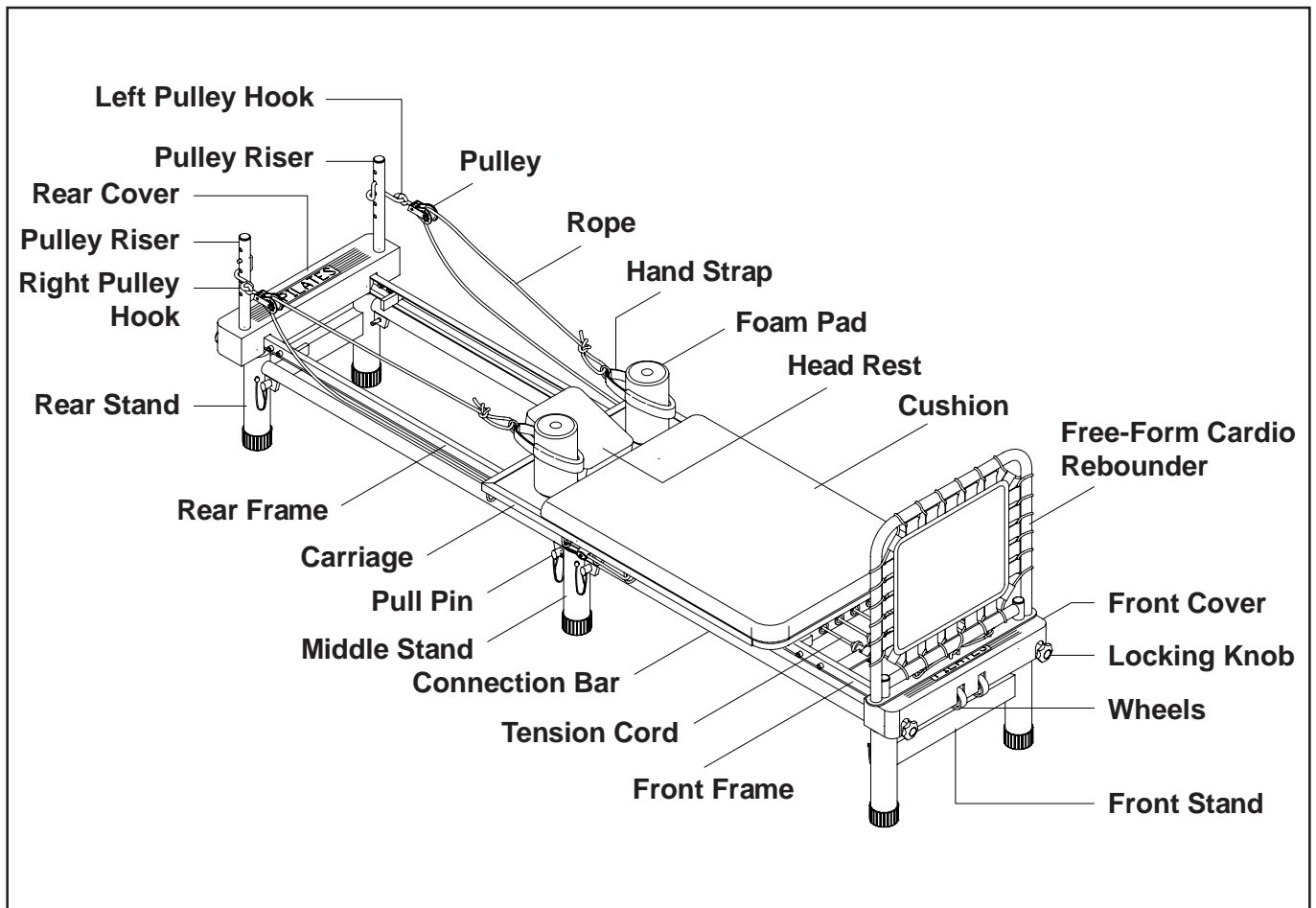
Thank you for choosing the **AeroPILATES**. We take great pride in producing this quality product and hope it will provide many hours of quality exercise to make you feel better, look better and enjoy life to its fullest.

Yes, it's a proven fact that a regular exercise program can improve your physical and mental health. Too often, our busy lifestyles limit our time and opportunity to exercise. The **AeroPILATES** provides a convenient and simple method to begin your assault on getting your body in shape and achieving a happier and healthier lifestyle.


Before reading further, please review the drawing below and familiarize yourself with the parts that are labeled.

Read this manual carefully before using the **AeroPILATES**.

Although Stamina tries to manufacture its products with the finest materials and uses the highest standards of manufacturing, occasionally a part that does not fit, is the incorrect size, or is otherwise inappropriate is found. Even with the highest inspection and quality controls in place these things will happen occasionally. Please do not return the product. For your convenience, Stamina has a Customer Service Department with a toll-free number. If a part is missing, does not fit, is the incorrect size, or is otherwise inappropriate, please call 1 (800) 375-7520 (in the U.S.) between 8:00 A.M. and 5:00 P.M. Central Time, Monday through Friday. Our operators will be able to assist you with your problem and the parts will be mailed directly to your house.

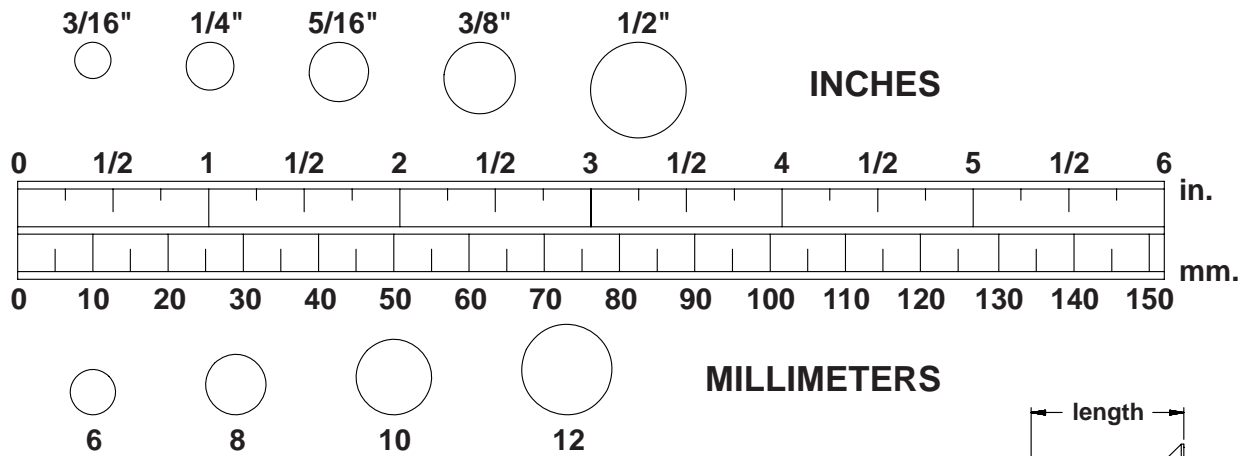


THE FOLLOWING TOOLS ARE REQUIRED FOR ASSEMBLY :

-  **Combination Wrench**
-  **Socket Wrench**

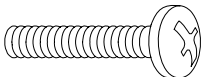
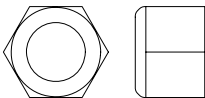
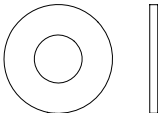
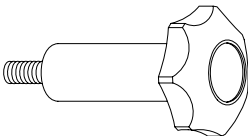
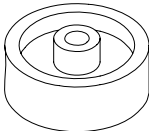
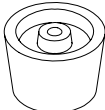
# HARDWARE IDENTIFICATION CHART

This chart is provided to help identify the hardware used in the assembly process. After unpacking the unit, open the hardware bag and make sure that you have the following items:



Place washers, the end of bolts or screws on the circles to check for the correct size. Use the small scale to check the sizes of bolts and screws.

**NOTICE:** The length of all kinds of screws and bolts are not included themselves head, except the flat head screws and bolts.

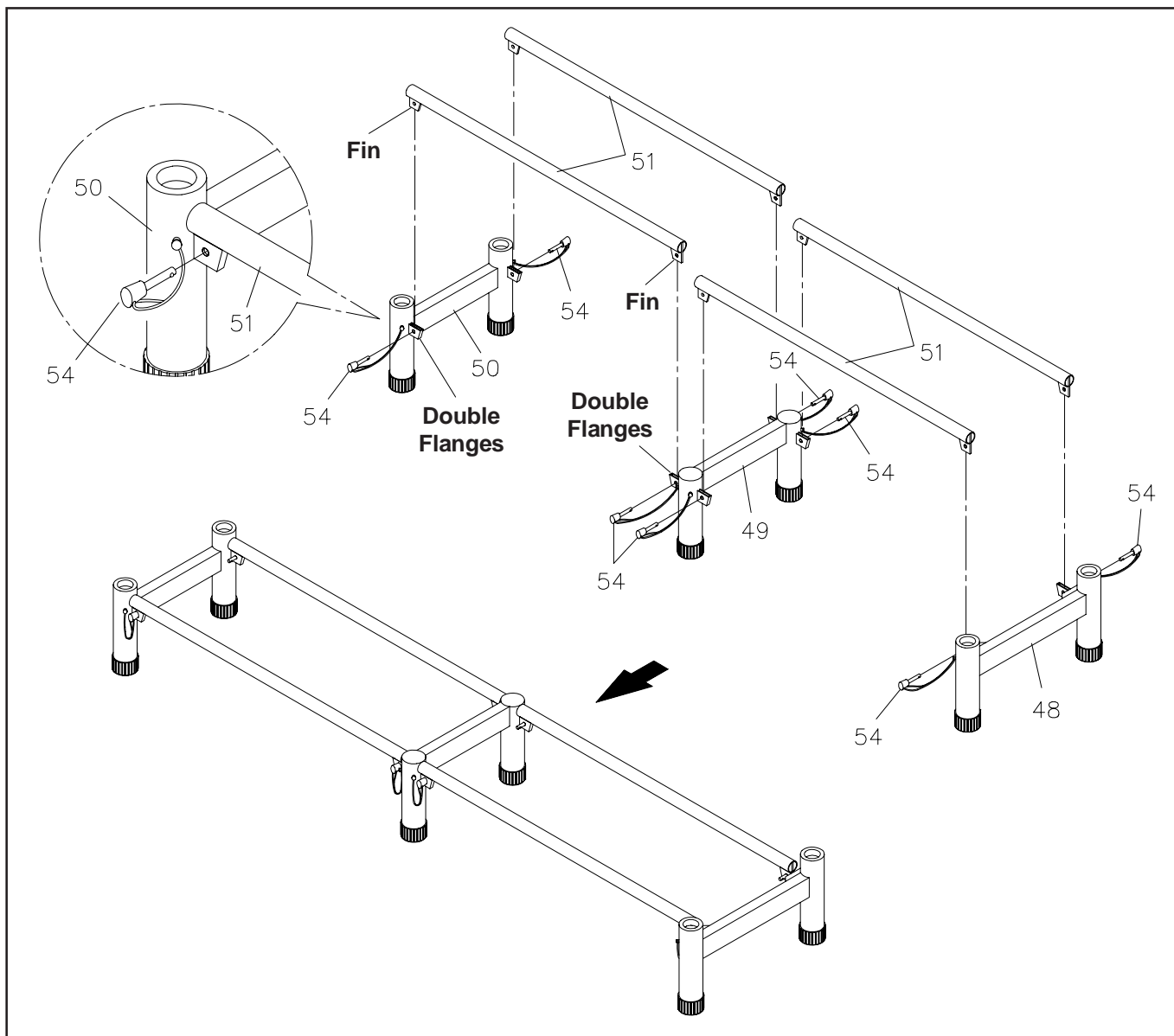
	Part No. and Description	Qty
	35 Screw, Round Head (M5 x 0.8 x 25mm)	4
	38 Nylock Nut (M8 x 1.25)	2
	42 Washer (M8)	6
	23 Locking Knob	4
	24 Plastic Wheel	2
	25 Rubber Foot	4

**NOTE:** 1. Some of the hardware items listed may be attached to other parts.  
2. Bolt length is measured from the bottom of the bolt head to the end of the bolt.

## ASSEMBLY INSTRUCTIONS

Place all parts from the box in a cleared area and position them on the floor in front of you. Remove all packing materials from your area and place them back into the box. Do not dispose of the packing materials until assembly is completed. Read each step carefully before beginning. If you are missing a part please call our toll-free number for assistance **1 (800) 375-7520** or e-mail us at :

**parts@staminaproducts.com**

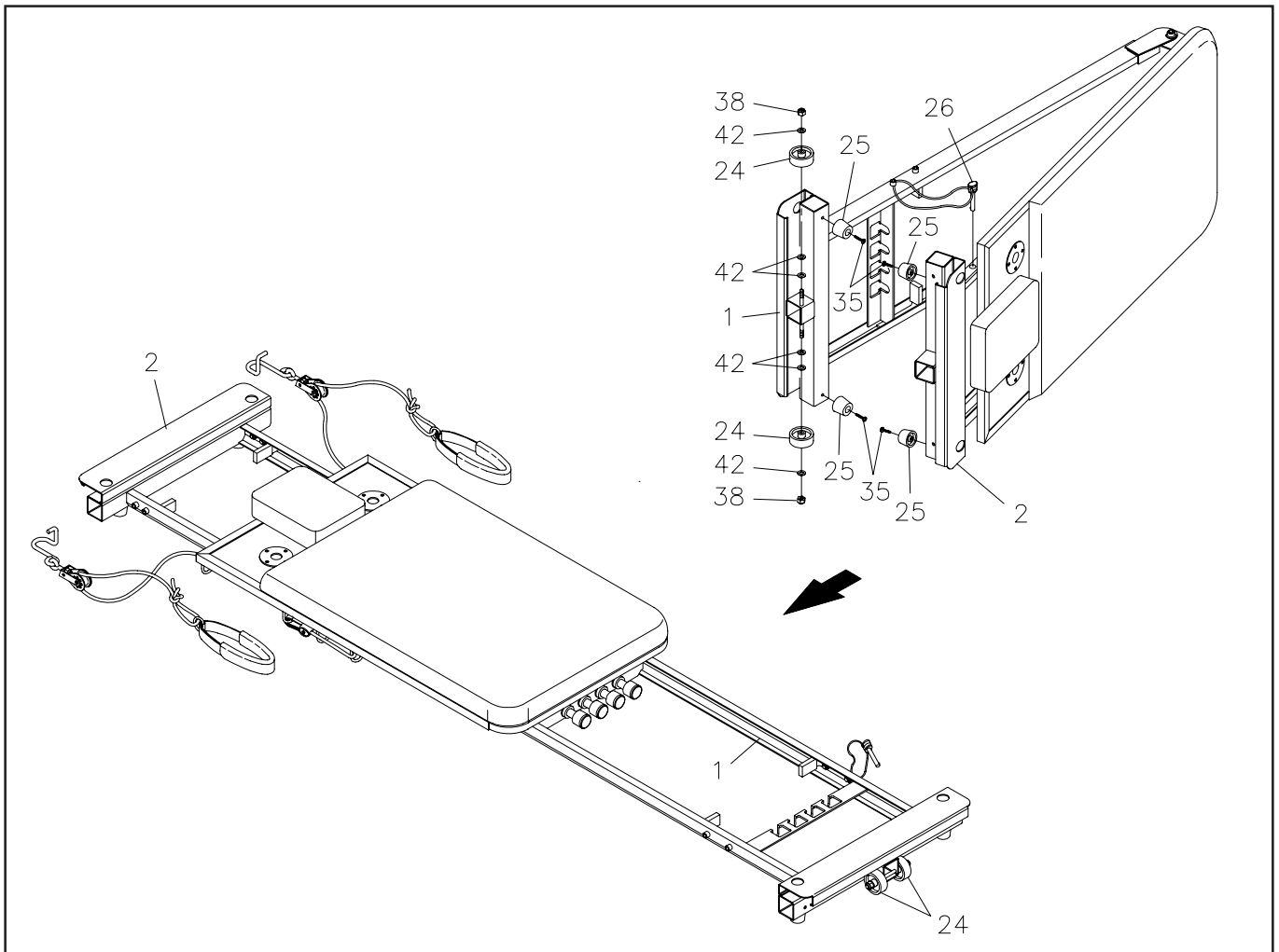


### STEP 1

Connect the **REAR STAND(50)**, the narrower one, to the **MIDDLE STAND(49)** with two **CONNECTION BARS(51)**, inserting the Fins on the **CONNECTION BARS(51)** into the gaps in the Double Flanges on the **STANDS(49, 50)**. Then lock the **CONNECTION BARS(51)** in the place by inserting the **PULL PINS(54)** through the Double Flanges. Repeat to connect the **FRONT STAND(48)** to the **MIDDLE STAND(49)**.

**NOTE:** Assembly instructions are also included at the back of the Aero**PILATES** Performer Level One **Workout** video.

## ASSEMBLY INSTRUCTIONS



### STEP 2

Remove your Aero**PILATES** from its packaging placing the product on its side, with the **LOCKING PIN(26)** side upward. Remove the **LOCKING PIN(26)** and unfold the **MAIN FRAME ASSEMBLY** separating the half that has the attached **LOCKING PIN(26)**. When completed, the frame should be separated approximately 3 feet at the end.

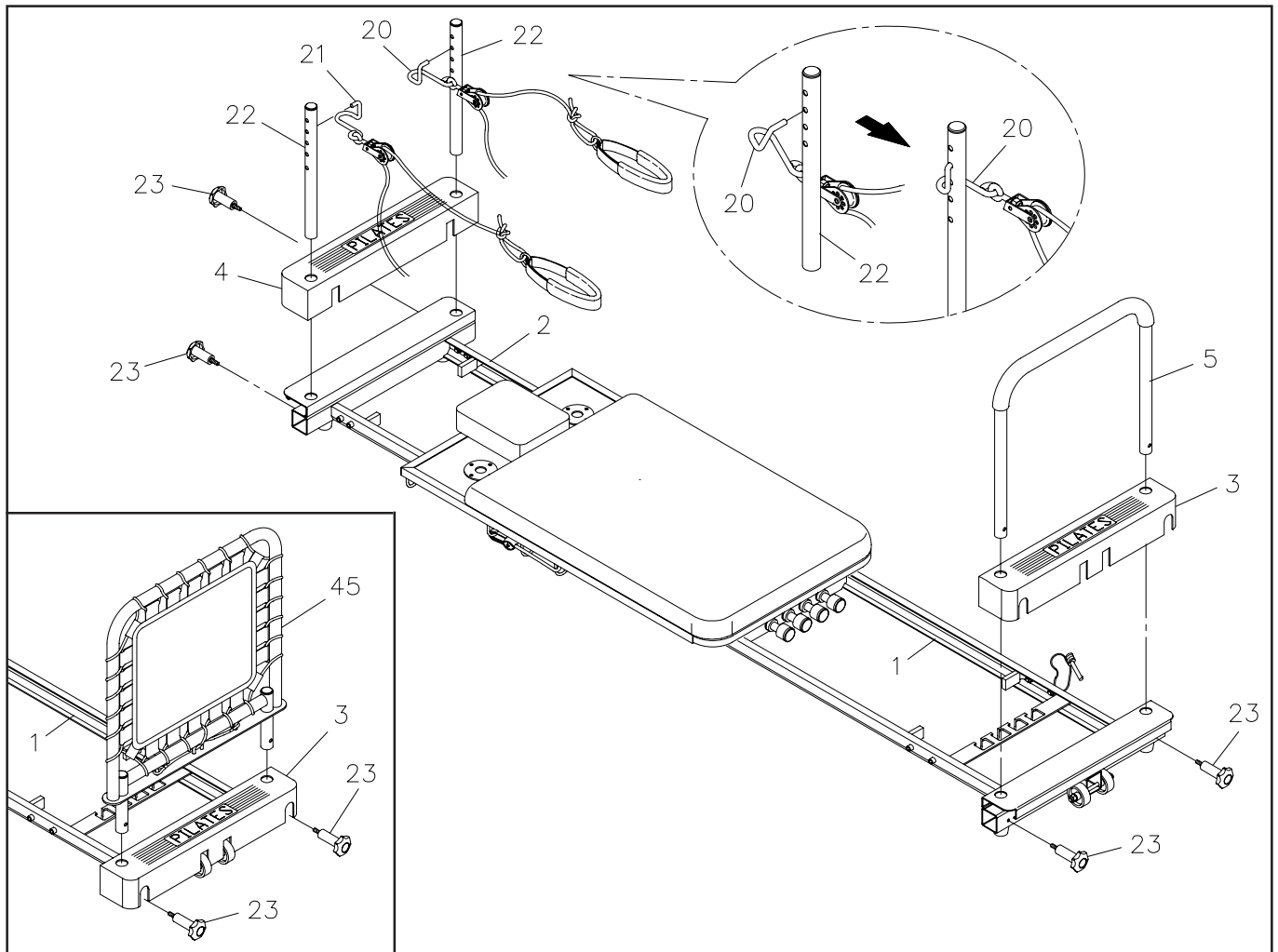
### STEP 3

Attach the four **RUBBER FEET(25)** to the **FRONT FRAME(1)** and **REAR FRAME(2)** with **SCREWS (M5 x 25mm)(35)**. Attach the **PLASTIC WHEELS(24)** onto the **FRONT FRAME(1)** with **WASHERS (M8)(42)** and **NYLOCK NUTS(M8)(38)**.

### STEP 4

Unfold your Aero**PILATES** to a flat position by moving the **FRONT FRAME(1)** away from the platform end of the product in a clockwise position until fully extended.

## ASSEMBLY INSTRUCTIONS



**STEP 5:** Remove the paper covering from the foam tape inside the **FRONT COVER(3)** and **REAR COVER(4)**. Place the **FRONT COVER(3)** over the **FRONT FRAME(1)**. Place the **REAR COVER(4)** over the **REAR FRAME(2)**. Press the covers securely in place.

**STEP 6:** Make sure that the threaded holes in the **FOOT REST(5)** are facing toward the end of the Aero**PILATES** as shown in the illustration. Insert the **FOOT REST(5)** into the mounting holes located in the **FRONT COVER(3)** and **FRONT FRAME(1)**. Insert the **FOOT REST(5)** all the way to the bottom and lock it in place with the **LOCKING KNOBS(23)**.

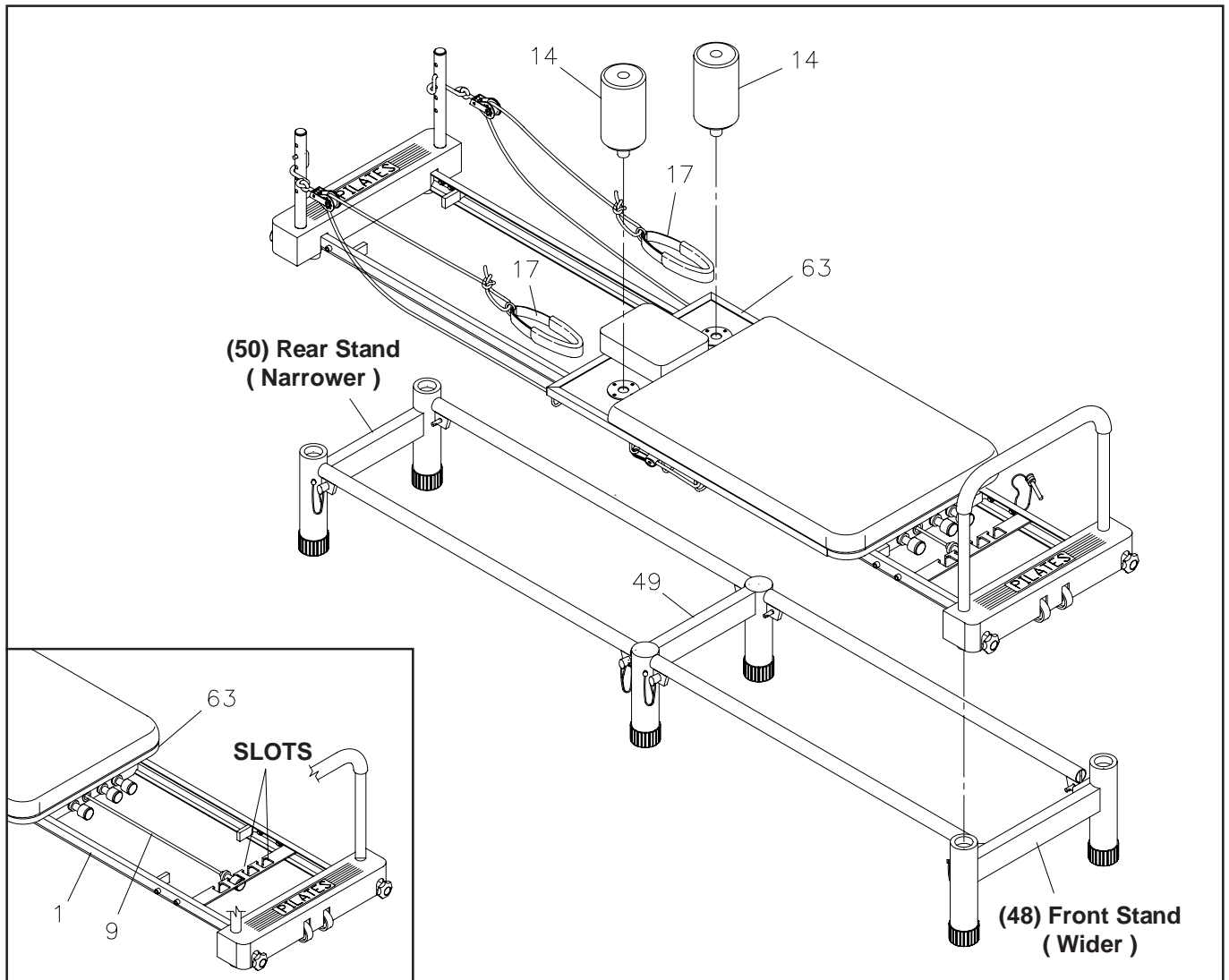
**NOTE:** You can choose to Insert the **CARDIO REBOUNDER(45)** into the **FRONT FRAME(1)** and lock in position with the **LOCKING KNOBS(23)**. Refer to the inset drawing.

**STEP 7:** Insert the **PULLEY RISERS(22)** into the mounting holes in the **REAR COVER(4)** and **REAR FRAME(2)**. Insert the **PULLEY RISERS(22)** all the way to the bottom, align the threaded holes in the **PULLEY RISERS(22)** with the holes in the **REAR FRAME(2)**, and lock the **PULLEY RISERS(22)** in position with the **LOCKING KNOBS(23)**.

**STEP 8:** Refer to the detail drawing above showing an enlarged view of the left **PULLEY RISER(22)** and the **LEFT PULLEY HOOK(20)**. With the pulley facing down, insert the **LEFT PULLEY HOOK(20)** into the left **PULLEY RISER(22)** from the inside as shown. Swing the pulley forward as shown and the **LEFT PULLEY HOOK(20)** will be in position for use. Use the same procedure to install the **RIGHT PULLEY HOOK(21)** on the right **PULLEY RISER(22)**.



## ASSEMBLY INSTRUCTIONS



### STEP 9

Insert the **FOAM PAD ASSEMBLIES(14)** into the holes located on the **CARRIAGE(63)**. Place the **HAND STRAPS(17)** onto the **FOAM PAD ASSEMBLIES(14)** for storage.

### STEP 10

To prevent the **CARRIAGE(63)** from moving while placing the Aero**PILATES** onto its Stand, attach one of the **TENSION CORDS(9)** in the slots on the **FRONT FRAME(1)**. Refer to the inset drawing. Place the Aero**PILATES** onto the Stand as shown in the illustration.

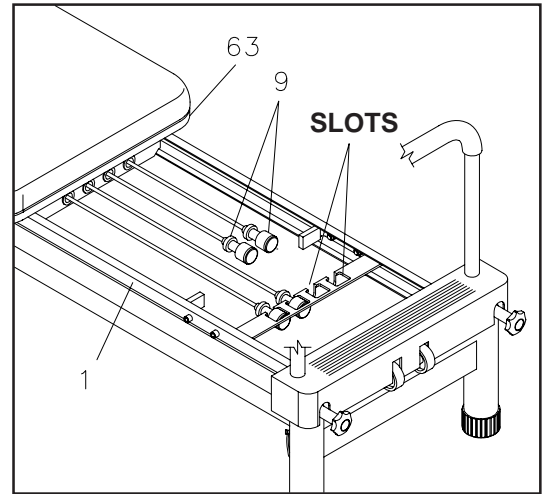
**NOTE:** The rubber feet of the Aero**PILATES** must fit into the **FRONT STAND(48)** and the **REAR STAND(50)**. The **FRONT STAND(48)** is wider than the **REAR STAND(50)**. The Foot Rest end of your Aero**PILATES** will fit into the top of the **FRONT STAND(48)** and the Headrest end of your Aero**PILATES** will fit into the **REAR STAND(50)**.

## OPERATIONAL INSTRUCTIONS

### LOAD ADJUSTMENT

The resistance of the **CARRIAGE(63)** can be adjusted by securing the **TENSION CORDS(9)** in the slots located on the **FRONT FRAME(1)**. You can achieve various levels of resistance by securing different numbers of the **TENSION CORDS(9)** in the slots.

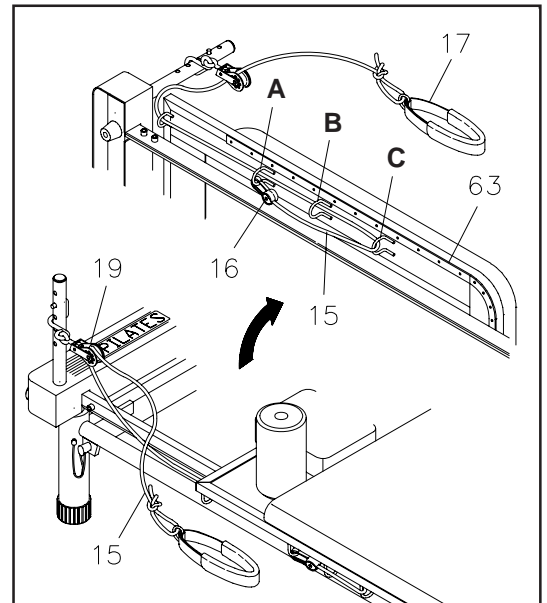
**NOTE:** Over time your **TENSION CORDS(9)** will relax. To increase resistance in the **TENSION CORDS(9)**, stretch and re-tie the tension cords in a more taut position.



### ROPE LENGTH ADJUSTMENT

The **ROPES(15)** are wrapped on the **HOOKS** located on both sides of the **CARRIAGE(63)**. You can adjust the length between the **PULLEY ASSEMBLY(19)** and the **HAND STRAP(17)** by attaching the **PLASTIC HOOKS(16)** onto different **HOOKS**.

- 1. Arm Function:** To position the **HAND STRAP(17)** close to the **PULLEY ASSEMBLY(19)**, hook the **PLASTIC HOOK(16)** onto the **HOOKS** which will shorten the **ROPE(15)**.
- 2. Leg Function:** To achieve a full range of movement, hook the **PLASTIC HOOK(16)** of the rope onto the desired **A, B, or C** hook.

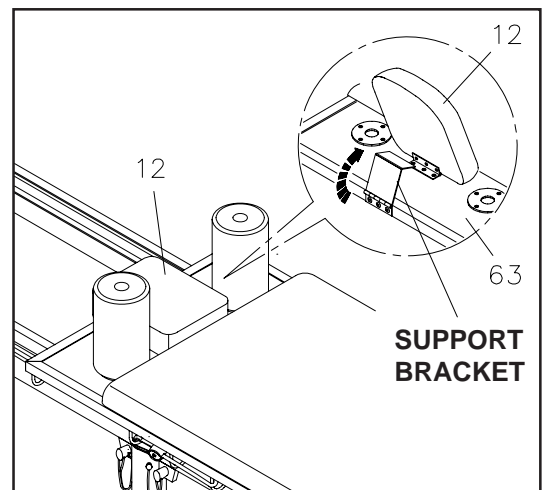


### HEAD REST ADJUSTMENT

The **HEAD REST(12)** on the **CARRIAGE(63)** can be positioned at an incline by simply pivoting the **SUPPORT BRACKET** onto the flat surface of the **CARRIAGE(63)**.

#### WARNING:

**Always ensure that the HEAD REST(12) and SUPPORT BRACKET are correctly positioned before use.**



---

## STORAGE

1. To store the **AeroPILATES** simply keep it in a clean dry place.
2. Moving the **AeroPILATES**: To prevent the **CUSHION ASSEMBLY(7)** from moving before removing the **AeroPILATES** from its stand, attach one of the **TENSION CORDS(9)** in the slots on the **FRONT FRAME(1)**.

Grasp the Front and Rear Frame to remove the **AeroPILATES** from its Stand. Then lift up the **AeroPILATES** from the Rear Frame to move the **AeroPILATES** with the transport wheels on the Front Frame. Grasp both ends of the Stand to move it.

## MAINTENANCE

The safety and integrity designed into the **AeroPILATES** can only be maintained when the **AeroPILATES** is regularly examined for damage and wear. Special attention should be given to the following:

1. It is the sole responsibility of the user/owner to ensure that regular maintenance is performed.
2. Worn or damaged components shall be replaced immediately or the **AeroPILATES** removed from service until repair is made.
3. Check the condition of the **ENDCAPS(52)** on the stand. Replace any damaged **ENDCAPS(52)**. Verify that the **LARGE WASHER(53)** is in place inside the **ENDCAPS(52)** when replacing the **ENDCAPS(52)**.
4. Verify that the **ROPES(15)** are properly installed on the **PULLEY ASSEMBLYS(19)**.
5. Check the condition of the **ROPES(15)**. Replace the Rope if it is cracked or broken.
6. Check the **PLASTIC HOOKS(16)** on the ends of the **ROPES(15)**. Replace the Ropes with deformed or damaged hooks.
7. Check the **TENSION CORDS(9)** for wear. Replace the Cords that are frayed or worn.
8. Check the **BUNGEE CORD(47)** on the **CARDIO REBOUNDER(45)** for wear. Replace the **CARDIO REBOUNDER(45)** if the **BUNGEE CORD(47)** is frayed or worn.
9. Check the pulleys for excessive wear. Replace worn pulleys.
10. Check the **GRIP PADS(18)** for damage. Replace damaged parts.
11. Check the **FOAM SLEEVE(6)** and **FOAM PADS(14)** for damage. Replace damaged parts.
12. Check the **STOP PLATES(27)** for looseness or bending damage. Replace damaged parts.
13. Check the **CUSHION(64)** for damage. Replace the **CUSHION(64)** if it is damaged.
14. Check and clean the rollers and the rolling surfaces on the rail. Clean by wiping with a dry cloth.
15. Only Stamina Products supplied components shall be used to maintain/repair the **AeroPILATES**.
16. Keep your **AeroPILATES** clean by wiping with an absorbent cloth after use.

## CONDITIONING GUIDELINES

How you begin your exercise program depends on your physical condition. If you have been inactive for several years, or are severely overweight, you must start slowly and increase your time on the **AeroPILATES** gradually: a few minutes per workout.

Initially, you may be able to exercise only for a few minutes in your target zone, however, your aerobic fitness will improve over the next six to eight weeks. Don't be discouraged if it takes longer. It's important to work at your own pace. Ultimately, you'll be able to exercise continuously for 30 minutes. The better your aerobic fitness, the harder you will have to work to stay in your target zone. Please remember these essentials:

- Have your doctor review your training and diet programs to advise you of a workout routine you should adopt.
- Begin your training program slowly with realistic goals that have been set by you and your doctor.
- Monitor your pulse frequently. Establish your target heart rate base on your age and condition.
- Set up your **AeroPILATES** on a flat, even surface at least 3 feet from walls and furniture.

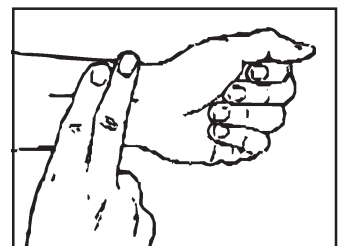
## EXERCISE INTENSITY

To maximize the benefits of exercising, it is important to exercise with the proper intensity. The proper intensity level can be found by using your heart rate as a guide. For effective aerobic exercise, your heart rate should be maintained at a level between 70% and 85% of your maximum heart rate as you exercise. This is known as your target zone. You can find your target zone in the table below. Target zones are listed for both unconditioned and conditioned persons according to age.

AGE	UNCONDITIONED TARGET ZONE (BEATS/MIN.)	CONDITIONED TARGET ZONE (BEATS/MIN.)
20	110~130	140~170
25	107~127	137~166
30	105~124	133~162
35	102~120	130~157
40	99~117	126~153
45	96~114	123~149
50	94~111	119~145
55	91~107	116~140
60	88~104	112~136
65	85~101	109~132
70	83~98	105~128
75	80~94	102~123
80	77~91	98~119

During the first few months of your exercise program, keep your heart rate near the low end of your target zone as you exercise. After a few months, your heart rate can be increased gradually until it is near the middle of your target zone as you exercise.

To measure your heart rate, stop exercising but continue moving your legs or walking around and place two fingers on your wrist. Take a six-second heartbeat count and multiply the results by 10 to find your heart rate. For example, if your six-second heartbeat count is 14, your heart rate is 140 beats per minute. (A six-second count is used because your heart rate will drop rapidly when you stop exercising.) Adjust the intensity of your exercise until your heart rate is at the proper level.



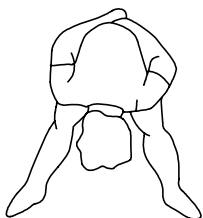
---

## WARM-UP and COOL-DOWN

**Warm-up** The purpose of warming up is to prepare your body for exercise and to minimize injuries. Warm up for two to five minutes before strength-training or aerobic exercising. Perform activities that raise your heart rate and warm the working muscles. Activities may include brisk walking, jogging, jumping jacks, jump rope, and running in place

**Stretching** Stretching while your muscles are warm after a proper warm-up and again after your strength or aerobic training session is very important. Muscles stretch more easily at these times because of their elevated temperature, which greatly reduces the risk of injury. Stretches should be held for 15 to 30 seconds. Do not bounce.

### Suggested Stretching Exercises



#### Lower Body Stretch

Place feet shoulder-width apart and lean forward. Keep this position for 30 seconds using the body as a natural weight to stretch the backs of the legs.

**DO NOT BOUNCE!**

When the pull on the back of the legs lessen, try a lower position gradually.

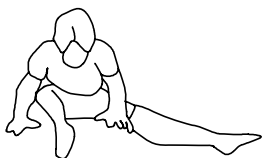


#### Floor Stretch

While sitting on the floor, open the legs as wide as possible. Stretch the upper body toward the knee on the right leg by using your arms to pull your chest to your thighs. Hold this stretch 10 to 30 seconds.

**DO NOT BOUNCE!**

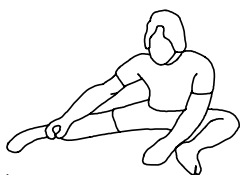
Do this stretch 10 times. Repeat the stretch with the left leg.



#### Bent Torso Pulls

While sitting on the floor, have legs apart one leg straight and one knee bent. Pull the chest down to touch the thigh on the leg that is bent and twist at the waist.

Hold this position at least 10 seconds. Repeat 10 times on each side.



#### Bent Over Leg Stretch

Stand with feet shoulder-width apart and lean forward as illustrated. Using the arms, **gently** pull the upper body towards the right leg. Let the head hang down.

**DO NOT BOUNCE!**

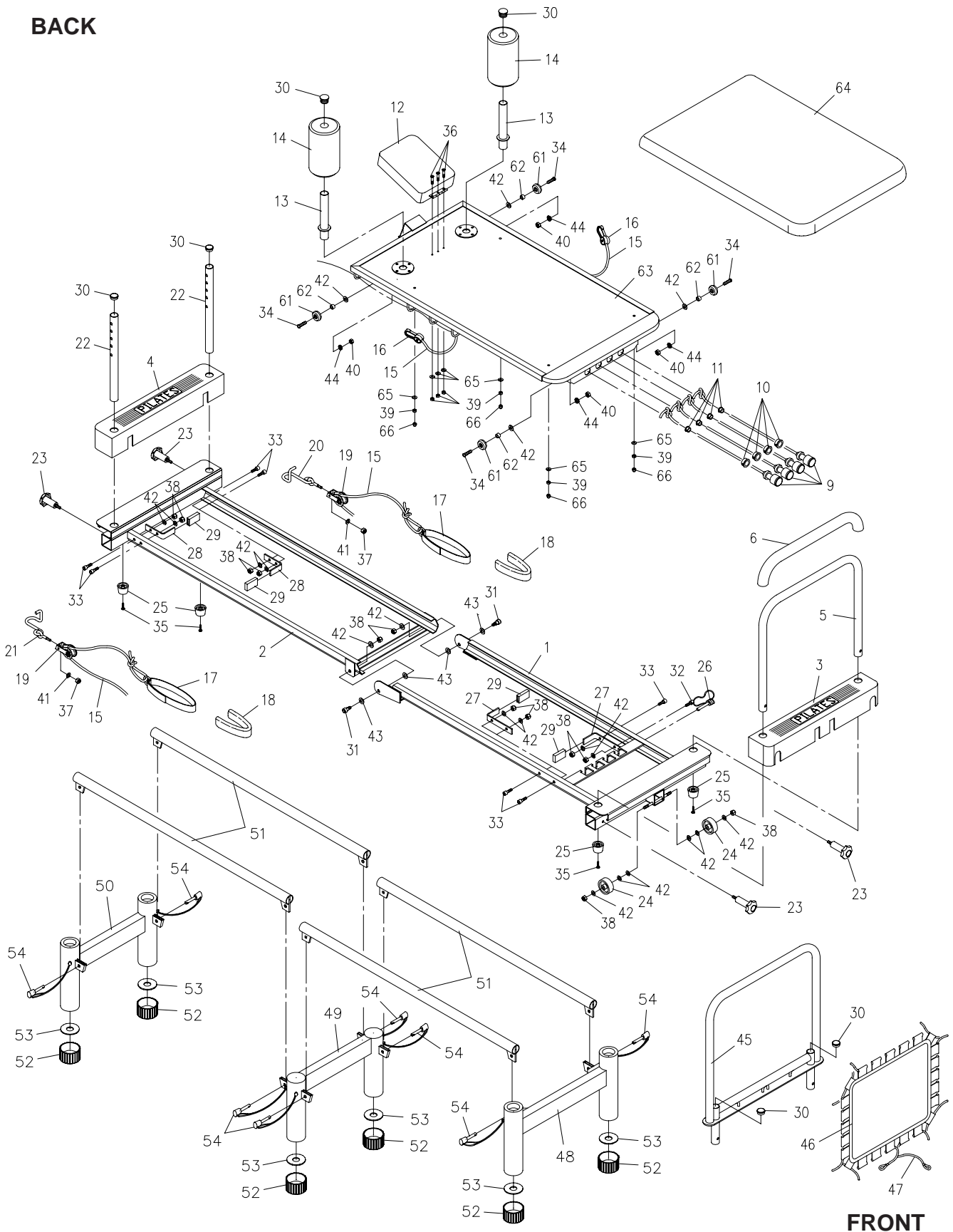
Hold the position a minimum of 10 seconds. Repeat pulling the upper body to the left leg. Do this stretch several times slowly.

**Remember always to check with your physician before starting any exercise program.**

**Cool-Down** The purpose of cooling down is to return the body to its normal, or near normal, resting state at the end of each exercise session. A proper cool-down slowly lowers your heart rate and allows blood to return to the heart. Your cool-down should include the stretches listed above and should be completed after each strength-training session.

# PRODUCT PARTS DRAWING

**BACK**



**FRONT**

---

## PARTS LIST

DIAGRAM#	PART NAME	QTY
1	Front Frame	1
2	Rear Frame	1
3	Front Cover	1
4	Rear Cover	1
5	Foot Rest	1
6	Foam Sleeve	1
9	Tension Cord	4
10	Support Bushing	4
11	Stop Bushing	4
12	Head Rest	1
13	Foam Pad Tube	2
14	Foam Pad	2
15	Rope	2
16	Plastic Hook	2
17	Hand Strap	2
18	Grip Pad	2
19	Pulley Assembly	2
20	Left Pulley Hook	1
21	Right Pulley Hook	1
22	Pulley Riser	2
23	Locking Knob	4
24	Plastic Wheel	2
25	Rubber Foot	4
26	Locking Pin	1
27	Stop Plate	2
28	Small Stop Plate	2
29	Stop Pad	4
30	Round Plug (25mm)	6
31	Shaft Bolt, Socket Head (M8 x 1.25 x 20mm)	2
32	Bolt, Socket Head/w hole (M8 x 1.25 x 20mm)	1
33	Bolt, Socket Head (M8 x 1.25 x 20mm)	7
34	Bolt, Round Head (M8 x 1.25 x 25mm)	4
35	Screw, Round Head (M5 x 0.8 x 25mm)	4
36	Screw, Flat Head (M5 x 0.8 x 25mm)	3
37	Nylock Nut (M6 x 1)	2
38	Nylock Nut (M8 x 1.25)	12
39	Nylock Nut (M5 x 0.8)	7
40	Nut (M8 x 1.25)	4
41	Washer (M6)	2
42	Washer (M8)	20
43	Washer (M10)	4
44	Lock Washer (M8)	4
45	Cardio Rebounder	1
46	Mat	1



---

## PARTS LIST

DIAGRAM#	PART NAME	QTY
47	Bungee Cord	1
48	Front Stand	1
49	Middle Stand	1
50	Rear Stand	1
51	Connection Bar	4
52	Endcap	6
53	Large Washer (2 3/8" diameter)	6
54	Pull Pin	8
55	Combination Wrench	1
56	Socket Wrench	1
57	Manual	1
58	Workout Chart	1
59	AeroPilates Performer Level One Workout	1
60	AeroPilates Performer Cardio Workout	1
61	Roller	4
62	Roller Spacer	4
63	Carriage	1
64	Cushion	1
65	Washer (M5)	7
66	Acorn Nut (M5 x 0.8)	4



**WARRANTY**

Stamina Products, Inc. warrants that this product will be free from defects in materials and workmanship under normal use, service and proper operation for a period of 90 days on the parts and three years on the frame from the date of the original purchase from an authorized retailer. **THIS WARRANTY SHALL NOT APPLY TO ANY PRODUCT WHICH HAS BEEN SUBJECT TO COMMERCIAL USE, ABUSE, MISUSE, ALTERATION OF ANY TYPE OR CAUSE OR TO ANY DEFECT OR DAMAGE CAUSED BY REPAIR, REPLACEMENT, SUBSTITUTION OR USE WITH PARTS OTHER THAN PARTS PROVIDED BY STAMINA PRODUCTS, INC.** Commercial use includes use of the product in athletic clubs, health clubs, spas, gymnasiums, exercise facilities, and other public or semipublic facilities whether or not the product's use is in furtherance of a profit making enterprise, and all other use which is not for personal, family, or household purposes.

To implement this limited warranty, send a written notice stating your name, date, and place of purchase and a brief description of the defect along with your receipt to **Stamina Products, Inc. P.O. Box 1071, Springfield Missouri, USA, 65801-1071** or call us at **1 (800) 375-7520**. If the defect is covered under this limited warranty, you will be requested to return the product or part to us for free repair or replacement at our option. **NO ACTION FOR BREACH OF THIS LIMITED WARRANTY MAY BE COMMENCED MORE THAN ONE (1) YEAR AFTER THE DATE THE ALLEGED BREACH WAS OR SHOULD HAVE BEEN DISCOVERED. NO ACTION FOR BREACH OF ANY IMPLIED WARRANTY MAY BE COMMENCED MORE THAN ONE (1) YEAR AFTER DELIVERY OF THE PRODUCT TO THE PURCHASER.** This limited warranty is not transferable. **IF ANY PART OF THE PRODUCT IS NOT IN COMPLIANCE WITH THIS LIMITED WARRANTY OR ANY IMPLIED WARRANTY, THE REMEDY OF REPAIR OR REPLACEMENT IS THE EXCLUSIVE REMEDY AVAILABLE TO YOU.** In the event that the purchaser makes any claim under this limited warranty or any implied warranty, the Warrantor reserves the right to require the product to be returned for inspection, at the purchaser's expense, to the Warrantor's premises in Springfield, Missouri. Return of the enclosed warranty registration card is not required for warranty coverage, but is merely a way of establishing the date and place of purchase.

Stamina Products, Inc. **SHALL NOT BE LIABLE FOR THE LOSS OF USE OF ANY PRODUCT, LOSS OF TIME, INCONVENIENCE, COMMERCIAL LOSS OR ANY OTHER INDIRECT, CONSEQUENTIAL, SPECIAL OR INCIDENTAL DAMAGES DUE TO BREACH OF THE ABOVE WARRANTY OR ANY IMPLIED WARRANTY.**

This limited warranty is the only written or express warranty given by Stamina Products, Inc. This warranty gives you specific legal rights, and you may also have other legal rights which vary from state to state. **ANY OTHER RIGHT WHICH YOU MAY HAVE, INCLUDING ANY IMPLIED WARRANTY OR MERCHANTABILITY OR FITNESS FOR A PARTICULAR PURPOSE, IS LIMITED IN DURATION TO THE DURATION OF THIS WARRANTY.**

The laws in some jurisdictions restrict the rights of manufacturers and distributors of consumer goods to disclaim or limit implied warranties and consequential and incidental damages with respect thereto. If any such law is found to be applicable, the foregoing disclaimers and limitations of and on implied warranties and consequential and incidental damages with respect thereto shall be disregarded and shall be deemed not to have been made to the extent necessary to comply with such legal restriction.

---

## NOTES

