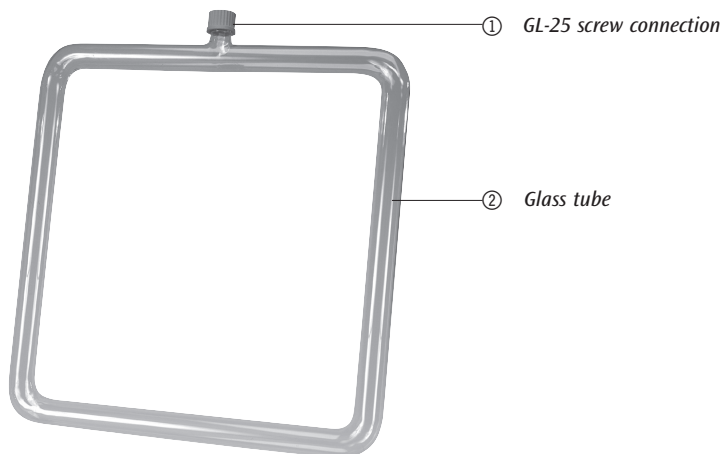


Thermal Convection Device 1002903

Instruction sheet

06/18ALF



The thermal convection device is used to demonstrate heat flow or convection caused by the uneven heating of a liquid. It serves as a model of a warm-water central heating unit.

1. Safety instructions

- Handle the glass body carefully. Breakage can lead to injury hazard!
- Do not subject the device to any mechanical stress.
- When using dyes be careful not to splash them on clothing, for example.
- Allow the glass body to cool down after completing the experiment.

2. Description, technical data

The convection apparatus consists of a square-shaped glass tube with filling neck and GL25 screw connection for pouring in liquids and dyes.

Dimensions: approx. 470 mm x 420 mm x 30 mm Ø
Material: Duran glass

3. Operation

- Assemble the heat flow device on the stand.
- Fill with water.
- Add some dye to the water.

- Apply a low flame one of the bottom corners of the glass tube.
- Observe the effect of thermal convection in water.
- After use rinse the thermal convection device with clear water.

Additionally required:

Stand components
Burner
Dye

